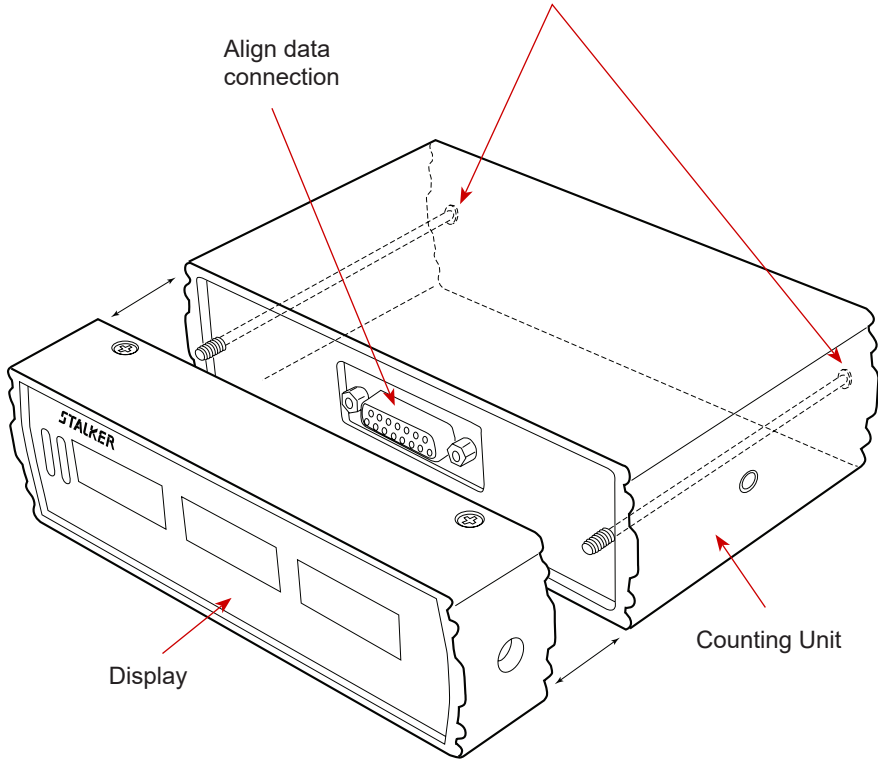


Separate/Join Counting Unit and Display

Locate the (2) Fastening screws located on the back of the counting unit.

Note: Tighten the screws just enough to secure the display to the counting unit. Over tightening may cause damage to the display.



StalkerRadar.com

STALKER[®]

Power to Enforce.

applied concepts, inc.
855 East Collins Boulevard ■ Richardson, Texas 75081
972.398.3780 ■ Fax 972.398.3781



800-STALKER

006-0496-00 Rev B